

Hand dryer, 220V, wall mounted

Knud Holscher Collection

d line

PRODUCT DATA SHEET

ITEM NUMBER SURFACE
14.7082.02.000 Satin Stainless Steel

PRODUCT
Hand dryer, 220V, wall mounted, satin finish

PICTURE



TENDER TEXT

Hand dryer. Outstanding classic danish design by Knud Holscher. Material: stainless steel AISI 316 satin finish, wall mounted, 220V. W:448 mm x H:300 mm x D:220 mm.

PRODUCT SPECIFICATION

Dimensions: W:448 mm x H:300 mm x D:220 mm.

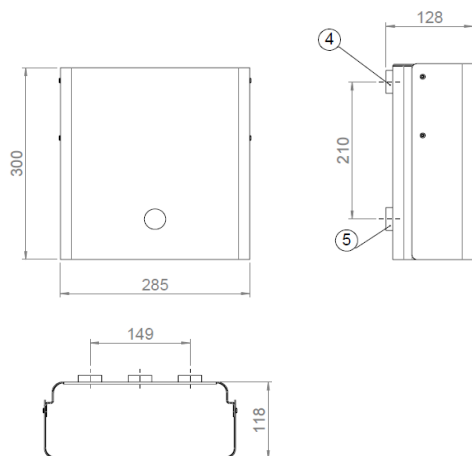
Material: satin steel AISI 316

Surface finish: satin grain 320, crafted by hand

Warranty for mechanism- 2 years

Warranty for stainless steel (non movable) parts - 20 years

DRAWING



SPARE PARTS / ACCESSORIES:

14983400472 Drill template nr. 48 for Wallmounted handryer

P0000000503 Accessories for bathroom

P0000007080 Spacers, small, 3 pcs.

14983091001 Mounting Instruction no. 91b, photo

14983091000 Mounting Instruction no. 91a, text

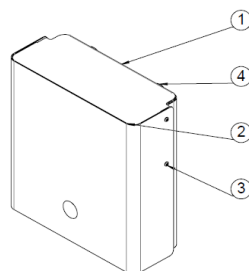
MOUNTING:

See instruction supplied with product.

PACKING:

1 pcs. in a kolli

ISO-DRAWING



CERTIFICATES & AWARDS

CE, DEMKO certificate

PRODUCT CARE

d line products are produced in the highest quality stainless steel, marine grade, AISI 316. To sustain the unique d line finish appearance please follow the below instructions:

- Wash down the surfaces using soapy water or mild detergent
- Always thoroughly rinse off with clean water
- To complete the cleaning procedure dry/polish the surfaces with a soft dry cloth

Please do not use scouring powder, steel wool, chloride based detergents or other aggressive cleaning products as these may damage the surface.

If spots or corrosion appear on the surface it is not due to the stainless steel quality, but to impurities in the environment, aggressive conditions or improper or insufficient cleaning.